

# 75-06 REMINGTON

## Test Specifications:

Firearm Used: Universal

Barrel Length: 24"

Twist: 1-10"

## Components:

Case: Winchester

Trim-to Length: 2.484"

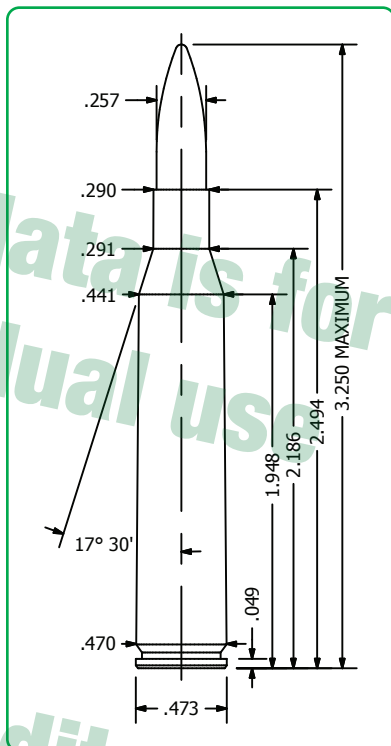
Primer: WLR

## Remarks:



Once known as the 25 Niedner, the 25-06 Remington is little more than the ubiquitous 30-06 necked down to accept a .257" diameter bullet. Gunsmith Adolph O. Niedner is generally credited with being the first to chamber rifles for this cartridge around 1920. By the time it was finally adopted by Remington in 1969, the 25-06 had been a popular and somewhat specialized wildcat for nearly 50 years. When Niedner first began working with the round using the slowest powders available, the larger case showed little velocity gain over the more efficient 257 Roberts. This situation kept the 25-06 from becoming a major player until slower burning surplus numbers, such as 4350 and 4831, became available. The 25-06 is still one of the most potent 25 caliber cartridges, giving velocities and energies second only to the 257 Weatherby Magnum.

The 25-06 is a devastating long range varmint cartridge, fully capable of making 500 yard shots in an accurate rifle. It has also earned an excellent reputation on deer and antelope, and has been used successfully on game as large as moose and elk. With its flat shooting, hard hitting performance, the 25-06 is the quintessential western big game hunting cartridge. Naturally, when used on bigger species such as moose and elk, shot placement and proper bullet selection are critical.




While it was once necessary to neck down 30-06 cases to produce brass for the 25-06, this is no longer the case. Government surplus 30-06 cases are becoming scarce and yet factory 25-06 cases are readily available, so it simply isn't worth the trouble to neck down. If cases must be reformed from 30-06 brass, pay particular attention to case neck thickness. Normally, when neck diameter is reduced this far, inside neck reaming or outside neck turning will be required. The 25-06 is not a difficult cartridge to load for and thrives on many of the slow burning powders now available.






# 25-06 Remington

Bullet	Caliber	Weight	Type	C.O.A.L.				
	#1605	.257"	70gr. BlitzKing	3.025"				
	#1600	.257"	75gr. HP	3.010"				
Powder	Velocity	3200	3300	3400	3500	3600	3700	3800
H4895		42.3	43.2	44.6	46.5	49.0		
IMR 4895		43.4	44.8	46.3	47.7	49.0	50.3	
IMR 4166 End.		43.0	44.4	45.8	47.3	48.8	50.3	
IMR 4064		44.4	45.8	47.1	48.3	49.6	50.7	
Varget				47.1	48.4	49.7	51.1	52.4
IMR 4320		45.2	46.9	48.5	49.9	51.2	52.3	
Big Game			48.8	50.3	51.7	53.1	54.4	55.7
Win 760				49.7	51.8	53.8	55.8	
IMR 4350		49.4	51.0	52.6	54.2	55.8	57.4	
IMR 4451 End.		51.1	52.7	54.2	55.6	57.0	58.3	
A 4350			50.2	52.8	55.0	56.8	58.3	
H4350		50.1	51.6	53.1	54.5	55.9	57.2	
RE 16		49.5	51.0	52.5	53.9	55.2	56.5	57.7
RE 17		49.3	50.8	52.2	53.5	54.8	56.0	57.2
RE 19		53.6	55.8	57.6	59.2	60.5	61.5	
Hunter					54.9	56.5	58.3	60.3
H4831sc		54.8	56.3	57.9	59.6	61.3		
N560		58.4	59.8	61.1	62.3			
<b>Energy Ft. Lbs</b>		<b>1591</b>	<b>1692</b>	<b>1796</b>	<b>1904</b>	<b>2014</b>	<b>2127</b>	<b>2244</b>
Special Load	Powder	Grains	Velocity fps	Energy Ft. lbs				
<b>Accuracy Load</b>	IMR 4064	50.7	3700	2127				
<b>Hunting Load</b>	Varget	52.4	3800	2244				

## 75-06 REMINGTON

	Bullet	Caliber	Weight	Type	C.O.A.L.			
	#1610	.257"	87gr.	SPT	3.110"			
	#1615	.257"	90gr.	HPBT	3.050"			
	#1616	.257"	90gr.	BlitzKing	3.180"			
Powder	Velocity	2900	3000	3100	3200	3300	3400	3500
H4895			39.0	40.9	42.8	44.8		
IMR 4895		40.3	41.8	43.3	45.0	46.8		
IMR 4166 End.		40.7	42.3	43.9	45.6	47.2		
IMR 4064		41.4	42.8	44.3	46.0	47.9		
Varget			41.6	43.4	45.3	47.2	49.2	
IMR 4320		40.3	41.8	43.4	45.2	47.1		
Big Game		44.3	46.1	47.9	49.6	51.2	52.8	
Win 760		45.3	46.8	48.4	50.2	52.2	54.3	
IMR 4350		45.3	47.6	49.6	51.5	53.2		
IMR 4451 End.			48.2	49.9	51.7	53.4	55.2	
A 4350			46.5	48.6	50.7	52.8	55.0	
H4350	46.7	48.4	50.1	51.7	53.3	54.7		
RE 16		47.2	48.9	50.5	52.1	53.7		
RE 17	46.0	47.3	48.6	50.0	51.5	53.0	54.7	
RE 19	51.0	53.1	54.9	56.6	57.9	59.1	60.0	
Hunter	47.2	48.7	50.3	52.0	53.6	55.4		
H4831sc	51.1	52.7	54.3	56.0	57.6	59.3		
IMR 4955 End.	49.2	50.7	52.2	53.7	55.2			
N560	52.8	54.3	55.8	57.3	58.7	60.0		
IMR 7828ssc	52.7	54.3	55.9	57.3	58.7			
IMR 7977 End.	55.4	56.9	58.5					
<b>Energy Ft. Lbs</b>		<b>1624</b>	<b>1738</b>	<b>1856</b>	<b>1978</b>	<b>2103</b>	<b>2233</b>	<b>2366</b>
Special Load	Powder	Grains	Velocity fps	Energy Ft. lbs				
<b>Accuracy Load</b>	Hunter	55.4	3400	2233				
<b>Hunting Load</b>	RE 17	54.7	3500	2366				

**25-06 Remington**

Bullet	Caliber	Weight	Type	C.O.A.L.
	#1620	.257"	100gr. SPT	3.120"
	#1625	.257"	100gr. SBT	3.120"
	#1628	.257"	100gr. HPBT Match	3.200"




Powder	Velocity	2700	2800	2900	3000	3100	3200	3300
Big Game		41.8	43.8	45.7	47.4	49.1	50.6	
Win 760			44.2	46.3	48.3	50.1		
IMR 4350		42.6	44.5	46.4	48.2	49.9		
IMR 4451 End.		43.0	44.9	46.9	48.8	50.7	52.7	
A 4350					46.0	48.4		
H4350				44.3	46.8	49.1	51.3	
RE 16				44.3	46.3	48.2	50.1	
RE 17			43.4	45.1	46.8	48.5	50.3	52.1
RE 19				49.4	51.5	53.6	55.6	57.5
IMR 4831		45.4	47.4	49.4	51.3	53.2		
Hunter			46.2	48.1	50.0	51.8	53.4	
H4831sc					48.7	52.7	55.4	
IMR 4955 End.		44.8	46.5	48.3	50.1	52.0		
RE 22				48.8	50.8	52.8	54.8	
N560			49.8	51.9	53.8	55.5	57.0	58.3
IMR 7828ssc			49.0	50.8	52.8	54.8	56.8	
IMR 7977 End.		50.9	52.9	54.7	56.3	57.8	59.1	
H1000			51.9	53.8	55.7	57.4	59.1	
<b>Energy Ft. Lbs</b>		<b>1618</b>	<b>1741</b>	<b>1867</b>	<b>1998</b>	<b>2133</b>	<b>2273</b>	<b>2418</b>

Special Load	Powder	Grains	Velocity fps	Energy Ft. lbs
<b>Accuracy Load</b>	H4831sc	55.4	3200	2273
<b>Hunting Load</b>	RE 17	52.1	3300	2418

*Sierra does not recommend MatchKing bullets for hunting applications.*

# 75-06 REMINGTON

	Bullet	Caliber	Weight	Type	C.O.A.L.				
	#1630	.257"	117gr.	SBT	3.130"				
	#1640	.257"	117gr.	SPT	3.130"				
	#1650	.257"	120gr.	HPBT	3.100"				
Powder	Velocity	2500	2600	2700	2800	2900	2950	3000	
Big Game		40.8	42.4	44.2	46.1	47.1			
Win 760	40.2	41.8	43.5	45.2	46.9				
IMR 4350		42.3	43.9	45.8	47.8				
IMR 4451 End.		42.6	44.4	46.3	48.1	49.1			
A 4350			43.3	46.1	48.4	49.4			
RE 16			41.8	43.8	45.9	47.1			
RE 17			42.5	44.2	46.0	47.0	48.0		
RE 19		45.5	47.6	49.6	51.5	52.4	53.3		
IMR 4831	42.7	44.7	46.7	48.6	50.5				
Hunter		43.6	45.7	47.6	49.4	50.3			
H4831sc			45.6	48.3	50.7	51.8	52.9		
IMR 4955 End.	42.5	44.5	46.4	48.2	50.0	50.8			
RE 22		44.2	46.3	48.4	50.3	51.2	52.1		
N560		46.5	48.5	50.4	52.3	53.2	54.1		
IMR 7828ssc		46.2	48.1	50.1	52.0	53.0	54.0		
IMR 7977 End.	48.1	50.3	52.3	54.0	55.5	56.2	56.8		
H1000		48.9	50.6	52.4	54.2	55.1	56.0		
<b>Energy Ft. Lbs</b>		<b>1623</b>	<b>1756</b>	<b>1894</b>	<b>2036</b>	<b>2184</b>	<b>2260</b>	<b>2338</b>	
Special Load	Powder	Grains	Velocity fps	Energy Ft. lbs					
<b>Accuracy Load</b>	N560	54.1	3000	2338					
<b>Hunting Load</b>	RE 17	48.0	3000	2338					

# 75-06 REMINGTON

## Test Specifications:

Firearm Used: Universal

Barrel Length: 24"

Twist: 1-10"

## Components:

Case: Hornady

Trim-to Length: 2.484"

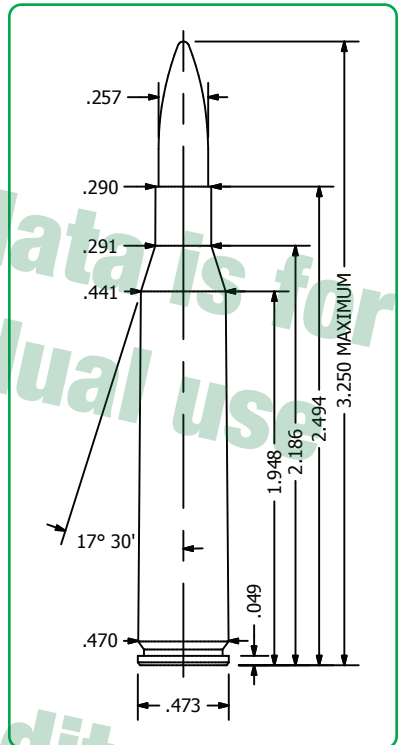
Primer: Fed 210

## Remarks:

Once known as the 25 Niedner, the 25-06 Remington is little more than the ubiquitous 30-06 necked down to accept a .257" diameter bullet. Gunsmith Adolph O. Niedner is generally credited with being the first to chamber rifles for this cartridge around 1920. By the time it was finally adopted by Remington in 1969, the 25-06 had been a popular and somewhat specialized wildcat for nearly 50 years. When Niedner first began working with the round using the slowest powders available, the larger case showed little velocity gain over the more efficient 257 Roberts. This situation kept the 25-06 from becoming a major player until slower burning surplus numbers, such as 4350 and 4831, became available. The 25-06 is still one of the most potent 25 caliber cartridges, giving velocities and energies second only to the 257 Weatherby Magnum.

The 25-06 is a devastating long range varmint cartridge, fully capable of making 500 yard shots in an accurate rifle. It has also earned an excellent reputation on deer and antelope, and has been used successfully on game as large as moose and elk. With its flat shooting, hard hitting performance, the 25-06 is the quintessential western big game hunting cartridge. Naturally, when used on bigger species such as moose and elk, shot placement and proper bullet selection are critical.

While it was once necessary to neck down 30-06 cases to produce brass for the 25-06, this is no longer the case. Government surplus 30-06 cases are becoming scarce and yet factory 25-06 cases are readily available, so it simply isn't worth the trouble to neck down. If cases must be reformed from 30-06 brass, pay particular attention to case neck thickness. Normally, when neck diameter is reduced this far, inside neck reaming or outside neck turning will be required. The 25-06 is not a difficult cartridge to load for and thrives on many of the slow burning powders now available.



# 25-06 Remington

# 63,000 PSI

Bullet	Caliber	Weight	Type	C.O.A.L.
#4210	0.257	110gr	TGK	3.210"

Powder	Velocity >	2850	2900	2950	3050	3100	3150	3200
SW Long Rifle				45.0	46.6			
IMR 4350				44.8	46.8	47.7	48.7	49.4
R-16			45.6	46.4	47.9	48.7	49.5	50.3
H 4350			43.8	44.8	46.7	47.6	48.6	
A 4350				46.3	48.3	49.3	50.7	
SW 4350	47.5		48.4	49.3	51.1	52.4		
Staball 6.5				46.5	48.5	49.5	50.4	51.6
IMR 4831	47.2		48.0	48.9	50.6	51.3		
RS Hunter			45.8	46.8	48.8	49.8	50.8	
N 555			47.0	47.9	49.8	50.7	51.6	52.1
H 4831sc			47.8	48.8	50.8	51.8	53.0	
N 560	50.2		51.1	51.9	53.5	54.4	55.5	
N 165				50.2	52.1	53.1	54.0	55.0
H 1000	51.3		52.1	52.9	54.6	55.4	56.2	57.0
Energy Ft. Lbs		1984	2054	2125	2272	2347	2423	2501

Special Load	Powder	Grains	Velocity fps	Energy Ft. Lbs
Accuracy Load	SW 4350	52.0	3081	2318
Hunting Load	Staball 6.5	50.7	3165	2447

Sierra does not recommend MatchKing bullets for hunting applications.



INDICATES MAXIMUM LOAD - USE CAUTION  
LOADS LESS THAN MINIMUM CHARGES SHOWN ARE NOT RECOMMENDED.

# 25-06 Remington

# 63,000 PSI

Bullet	Caliber	Weight	Type	C.O.A.L.
#9631	0.257	131gr	MK-CN	3.230**

\*requires a 1X7.5" or faster twist

Powder	Velocity >	2675	2725	2775	2825	2875	2925	2950
H 4350		41.9	42.9	44.0	45.0	46.1		
SW 4350		46.6	47.6	48.5	49.5	50.4		
Staball 6.5				46.3	47.4	48.4	49.3	
IMR 4831		45.2	46.1	47.0	47.9	48.7		
N 555		45.1	46.0	46.8	47.6	48.4	49.1	
H 4831sc		45.8	46.8	47.7	48.7	49.7	50.6	
N 560			48.9	49.9	51.0	52.0	53.0	53.6
N 165			48.0	49.1	50.1	51.2	53.3	52.4

Energy Ft. Lbs	2081	2160	2240	2321	2404	2488	2531
----------------	------	------	------	------	------	------	------

Special Load	Powder	Grains	Velocity fps	Energy Ft. Lbs
Accuracy Load	N 165	51.4	2885	2421
Hunting Load				

Sierra does not recommend MatchKing bullets for hunting applications.



INDICATES MAXIMUM LOAD - USE CAUTION  
LOADS LESS THAN MINIMUM CHARGES SHOWN ARE NOT RECOMMENDED.