

303 BRITISH

Test Specifications:

Firearm Used: No. 4 MK2

Barrel Length: 25"

Twist: 1 x 10"

Components:

Case: Winchester

Trim-to Length: 2.212"

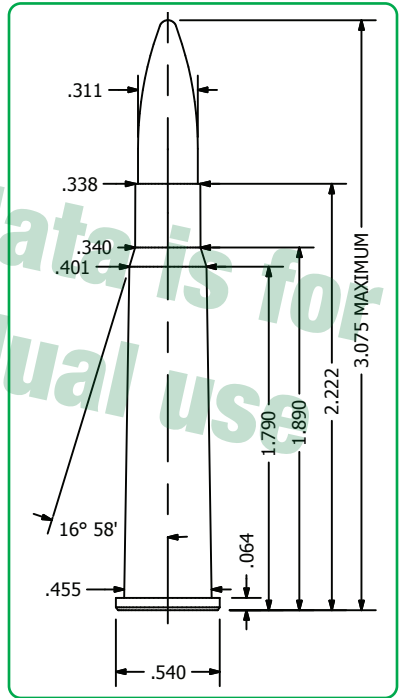
Primer: Remington 9 1/2

Remarks:


Adopted in 1888, the 303 cartridge served the British Empire through two world wars and countless smaller uprisings. While no longer used in a military role in United Kingdom or Commonwealth, 303 Enfields are still in service in several third-world countries. The 303 continues to be a popular sporting cartridge, in Canada and Australia.

Originally loaded with a 215 grain jacketed bullet and a compressed charge of black powder, the 303 is one of a select few cartridges that successfully made the transition from black to smokeless powder. With the 1892 development of cordite, a long-grained, double-based extruded powder, the 303 continued to serve as the official British service cartridge for the next half century. The standard cartridge used in both world wars was referred to as the Mk VII and was loaded with a 174 grain Spitzer bullet at 2440 fps.

As a sporting cartridge, the 303 has proven adequate for most North American big game and can be surprisingly accurate.. Sierra's .311" 150 grain Spitzer will give good performance on deer-sized game, while the 180 grain bullet provides deeper penetration on moose or elk. While several powders gave outstanding results, our test rifle showed its best accuracy with IMR 4064. Caution should be used when reloading the 303 cartridge, however, as Berdan cases may still be encountered. Winchester, Remington and several other commercial manufacturers have produced soft-nosed hunting ammunition for the 303 with standard Boxer primed cases. By avoiding surplus ammunition and sticking with U.S. made cases, this situation can be avoided completely. While the later Enfields, such as our No. 4 MK 2 test rifle are strong, the rear-locking lug system has been noted as a factor in case stretching and separation. Keeping loads down to velocity levels similar to the original specifications (with appropriate powder selection) will help combat this situation as well as proper die adjustment.




303 BRITISH



Bullet Caliber Weight Type						C.O.A.L.
	#2305	.311"	125gr.	SPT		2.900"
Powder ∨	Velocity >	2600	2700	2800	2850	2900
A 2015		38.4	40.0	41.6	42.4	43.2
IMR-3031		39.2	40.8	42.4	43.2	
Benchmark		38.3	39.7			
A 2460		37.7	40.1	42.5	43.7	44.9
H4895		41.1	42.5	43.9	44.6	45.3
Viht N135		40.1	41.8	43.5	44.4	45.2
Varget		42.2	44.0	45.8	46.7	47.6
IMR-4064		42.4	44.0	45.6		
A 2520		41.0	42.6	44.2	45.0	
Viht N140		42.9	44.6	46.3		
Energy Ft. lbs		1876	2023	2176	2254	2334
Special Load	Powder	Grains	Velocity fps	Energy Ft. lb		
Accuracy Load	A 2015	41.6	2800	2176		
Hunting Load	A 2015	43.2	2900	2334		

Do not edit or redistribute.

303 BRITISH

Bullet Caliber Weight Type								C.O.A.L.
	#2300	.311"	150gr.	SPT				3.075"
Powder	Velocity	2300	2400	2500	2600	2650	2700	
IMR-3031		35.4	37.2	39.0	40.8	41.7		
Benchmark			35.1	37.4				
748			37.2	40.0	42.8			
H4895		36.1	37.4	38.7				
A 2495		32.9	34.9	36.9	38.9			
IMR-4895		36.8	38.6	40.4	42.2	43.1	44.0	
Varget		37.0	38.6	40.2				
IMR-4064		38.0	39.6	41.2	42.8	43.6	44.4	
A 2520		37.3	38.6	39.9	41.2			
IMR-4320		40.1	41.6	43.1	44.6			
Viht N140			38.7	40.7	42.7			
RE-15		37.0	38.8	40.6	42.4			
H380			41.3	44.1				
H414			42.8	45.4	48.0			
Energy Ft. lbs		1762	1918	2081	2251	2339	2428	
Special Load	Powder	Grains	Velocity fps	Energy Ft. lb				
Accuracy Load	IMR-3031	40.8	2600	2251				
Hunting Load	IMR-4064	44.4	2700	2428				

303 BRITISH

		Bullet	Caliber	Weight	Type	C.O.A.L.
	#2315	.311"	174gr.	HPBT MatchKing		3.075"
	#2310	.311"	180gr.	SPT		3.075"
Powder ▾	Velocity >	2100	2200	2300	2400	2450
IMR-3031		34.3	35.8	37.3	38.8	
Benchmark		32.6	34.5	36.4		
748		35.2	37.6	40.0		
H4895		34.3	35.8	37.3		
A 2495		30.9	33.6	36.3		
IMR-4895		35.3	37.1	38.9	40.7	41.6
Varget		34.5	36.5	38.5		
IMR-4064			37.5	39.1	40.7	
IMR-4320			38.5	40.3	42.1	43.0
Viht N140		35.0	37.0	39.0	41.0	
RE-15		34.9	36.7	38.5		
H380			39.9	41.9	43.9	
H414			41.2	43.6	46.0	
IMR-4350		40.8	42.9	45.0		
Energy Ft. lbs		1704	1870	2043	2225	2319
Special Load	Powder	Grains	Velocity fps	Energy Ft. lb		
Accuracy Load	A 2495	33.6	2200	1870		
Hunting Load	Viht N140	41.0	2400	2225		