

338 WINCHESTER MAGNUM

Test Specifications:

Firearm Used: Universal

Barrel Length: 24"

Twist: 1-10"

Components:

Case: Winchester

Trim-to Length: 2.490"

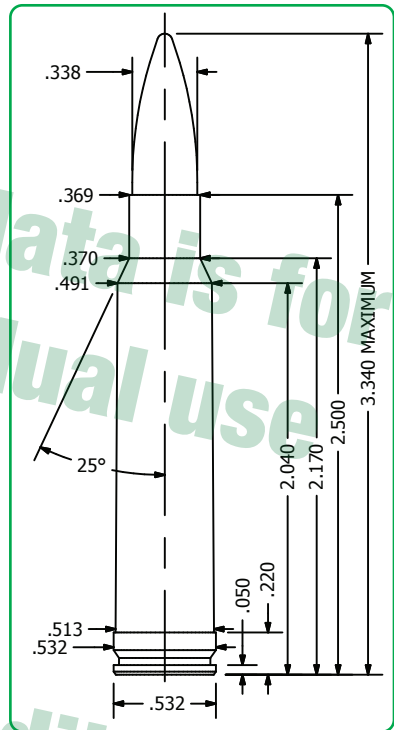
Primer: WLRM

Remarks:


In early 1959, Winchester added to their growing line of "short" magnums with the introduction of the 338 Magnum. Intended as a medium-bore, high-velocity cartridge covering the same range of game as the 375 Holland & Holland, the 338 Winchester Magnum filled the bill nicely. Although its use on larger game in some African countries is prohibited by minimum caliber restrictions, the 338 has earned a sterling reputation on plains game, including some dangerous thin-skinned species such as lion. In truth, a heavier cartridge like the 458 Winchester Magnum would almost always be preferable for elephants and other heavy game covered by minimum caliber restrictions.

In the United States, the 338 has proven tremendously effective on the largest North American game, including big bears. While the cartridge is unnecessarily powerful for deer and black bear, it is surprisingly popular among many hunters here in the "lower 48." This includes many who have never been to either Alaska or Africa and have no intention of hunting either place. For those shooters who just enjoy the wallop of a powerful cartridge, the 338 is a joy to use. Sierra's 250 grain Spitzer boat tail has been field proven on a variety of heavy and dangerous game.

Our 215 grain Spitzer boat tail and 225 Spitzer adds versatility to the 338, allowing it to be used more reasonably on deer and other lightly bodied game. Performance has its price, however, and in the case of the 338, it is heavy recoil. Handloading is a big advantage in this situation, allowing the shooter to reduce the power to a manageable level when top-end performance is not required. This should enable those not accustomed to the sharp kick of the 338 to develop a tolerance to it by working with increasingly heavy loads. Medium-burning powders, such as IMR-4064 or IMR-4895 add some flexibility in this regard. When working to maximum performance levels, slow-burning numbers, such as IMR-4350 or Hodgdon's H4831, will provide the best velocities and accuracy. The 338 is an excellent cartridge and will continue to serve many years to come.




338 WINCHESTER MAGNUM

Bullet Caliber Weight Type		C.O.A.L.							
	#2610 .338" 215gr. SBT	3.300"							
Powder ∨	Velocity >	2600	2650	2700	2750	2800	2850	2900	
IMR 4451 End.			65.1	66.3	67.6	68.9	70.2		
A 4350	62.3	63.9	65.5	66.9	68.2	69.4			
H4350		63.6	64.9	66.1	67.5	68.9			
H100V			64.1	65.6	67.1	68.4	69.6		
RE 19			69.5	70.7	71.9	73.3	74.7		
Hunter				69.8	71.0	72.5	74.1		
H4831sc		69.5	70.8	72.1	73.5	74.9	76.4		
IMR 4955 End.	65.6	67.0	68.4	69.9	71.3				
N560		68.9	70.0	71.2	72.5	73.8	75.1		
RE 23			67.7	68.9	70.2	71.6	73.2		
H1000		73.1	75.0	76.7	78.2	79.6	80.8		
Energy Ft. Lbs	3227	3352	3480	3610	3742	3877	4014		
Special Load	Powder	Grains	Velocity fps	Energy Ft. lb					
Accuracy Load	H4831sc	76.4	2900	4014					
Hunting Load	H100V	69.6	2900	4014					



Do not edit or redistribute.

338 WINCHESTER MAGNUM

		Bullet Caliber Weight Type							C.O.A.L.
		#2620 .338" 225gr. SPT							3.340"
Powder	Velocity	2500	2550	2600	2650	2700	2750	2800	
IMR 4451 End.			62.8	64.2	65.7	67.1	68.4		
A 4350				62.9	64.6	66.2	67.7		
H4350				61.9	63.5	65.1	66.6	67.9	
H100V				62.0	63.6	65.2	66.5	67.7	
RE 19				67.6	69.0	70.4	71.8	73.1	
Hunter				66.7	68.2	69.6	70.9	72.1	
H4831sc				68.0	69.4	70.8	72.3	73.8	
IMR 4955 End.		63.6	65.3	67.0	68.5	70.0			
N560			66.9	68.3	69.7	71.0	72.2	73.3	
RE 23				65.5	67.1	68.6	70.1	71.6	
H1000				72.0	73.5	75.1	76.7	78.3	
Magnum				74.0	75.5	77.2	79.0	81.1	
Energy Ft. Lbs		3122	3248	3377	3508	3641	3778	3916	
Special Load	Powder	Grains	Velocity fps	Energy Ft. lb					
Accuracy Load	H100V	67.7	2800	3916					
Hunting Load	H4350	67.9	2800	3916					

This data is for individual use only. Do not edit or redistribute.

338 WINCHESTER MAGNUM


Bullet	Caliber	Weight	Type	C.O.A.L.
	#2600	.338"	250gr. SBT	3.340"
	#2650	.338"	250gr. HPBT Match	3.460"

Powder	Velocity	2400	2450	2500	2550	2600	2650	2700
A 4350			60.2	61.7	63.1	64.5		
Hybrid 100V					62.3	63.7	65.2	66.7
RE 19				64.7	66.1	67.5	69.0	70.5
H4831sc				67.5	69.0	70.6	72.2	73.8
IMR 4955 End.	62.2	63.6	64.9	66.1				
N560		64.6	65.9	67.2	68.5	69.9		71.4
RE 23			64.3	66.0	67.6	69.2		70.6
RE 25				71.2	72.8	74.5		76.3
IMR 7977 End.		70.7	72.0	73.4	74.8	76.4		77.9
H1000				72.0	73.5	75.1		76.6
RE 26			66.1	67.3	68.6	69.8	71.1	72.5
Magnum				73.3	74.2	75.4	76.9	78.8
Retumbo				72.5	74.5	76.5		78.5
Energy Ft. Lbs		3197	3331	3469	3609	3752	3898	4046

Special Load	Powder	Grains	Velocity fps	Energy Ft. lb
Accuracy Load	Magnum	78.8	2700	4046
Hunting Load	Hybrid 100V	66.7	2700	4046

Sierra does not recommend MatchKing bullets for hunting applications.

338 WINCHESTER MAGNUM

Bullet		Caliber	Weight	Type	C.O.A.L.					
		#9300	.338"	300gr.	HPBT Match	3.470"*				
*requires 1 x 10" twist or faster twist										
Powder	Velocity	2225	2275	2325	2375	2425	2475	2500		
H4831sc			61.9	64.2	66.1	67.6				
N560			62.4	63.9	65.4	66.8				
RE 23	59.2	60.9	62.6	64.3	65.8					
RE 25					68.3	70.1	72.0	72.9		
IMR 7977 End.			67.6	69.5	71.2	72.9	74.5			
H1000			65.5	67.1	68.6	70.1	71.6			
RE 26			63.4	64.5	65.8	67.2	68.8	69.6		
Magnum					72.2	73.8	75.5	76.3		
Retumbo				68.1	70.0	71.8	73.7	74.6		
Energy Ft. Lbs		3297	3447	3600	3757	3917	4080	4163		
Special Load	Powder	Grains	Velocity fps	Energy Ft. lb						
Accuracy Load	Magnum	76.3	2500	4163						
<i>Sierra does not recommend MatchKing bullets for hunting applications.</i>										

Do not edit or redistribute.