

375 RUGER

Test Specifications:

Firearm Used: Universal

Barrel Length: 24"

Twist: 1-12"

Components:

Case: Hornady

Trim-to Length: 2.570"

Primer: WLRM

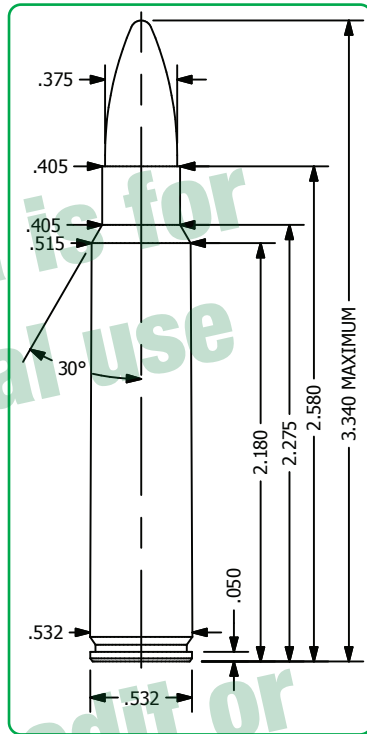
Remarks:

The 375 Ruger case was a new development in itself. It was not based on the 404 Jeffery case as were so many earlier cartridges were. The new case used the same belt diameter as was used by the "belted" magnums, but was beltless. This resulted in the 375 Ruger case having a larger case capacity than a belted case of the same length. Which in turn provides greater velocity potential. The Ruger cartridge did exceed the venerable 375 H&H in velocity, while doing so in a standard length action and a barrel that was four inches shorter. That is a noticeable difference. More performance from a potentially smaller package.


Of course there has to be the other side of the equation. This does result in an increase in recoil due to the lighter, more compact firearms the 375 can be chambered in. With a capacity increase of 4%, a velocity increase of 100 to 150 feet per second, and all being achieved in a shorter barrel, makes the 375 Ruger worthy of thought and consideration. Especially on those large game hunts where ounces are pounds.

The Sierra 250 grain GameKing #2950 would be an excellent choice for game up through the size of elk and moose. The 300 grain #3000 has a well-founded reputation for deep penetration and good expansion, thus giving the 375 Ruger credence for even the largest North American game and all but the largest African game as well.

The 375 Ruger was given SAAMI approval in 2007. The Max Pressure recommendation is 62,000 psi.




375 RUGER


		Bullet Caliber Weight Type							C.O.A.L.
		#2950 .375" 250gr. SBT							3.340"
Powder	Velocity	2600	2650	2700	2750	2800	2850	2900	
IMR 4166 End.		65.0	66.4	67.7	69.1	70.3			
IMR 4064		66.1	67.5	69.2	71.0	72.9			
A 4064		66.5	67.9	69.3	70.7	72.1	73.4		
RE 15		67.5	68.9	70.2	71.5	72.9	74.2		
Varget		67.5	69.1	70.6	72.1	73.6	74.9		
Big Game			71.1	72.7	74.4	76.0	77.8		
N540		67.2	68.6	70.1	71.5	73.0	74.5		
H4350		74.0	75.6	77.2	78.6	80.0	81.4	82.6	
RE 16				75.6	77.1	78.7	80.2	81.7	
RE 17			75.0	76.2	77.3	78.5	79.8	81.0	
Energy Ft. Lbs		3752	3898	4046	4197	4351	4508	4668	
Special Load	Powder	Grains	Velocity fps	Energy Ft. lb					
Accuracy Load	N540	74.5	2850	4508					
Hunting Load	H4350	82.6	2900	4668					

Do not edit or redistribute.

375 RUGER

		Bullet Caliber Weight Type							C.O.A.L.
		#3000 .375" 300gr. SBT							3.340"
Powder ∨	Velocity >	2400	2450	2500	2550	2600	2650	2700	
IMR 4166 End.		61.4	62.8	64.2	65.8				
IMR 4064		63.0	65.2	67.1	68.7				
A 4064		63.9	65.4	66.9	68.5				
RE 15		65.7	67.0	68.4	69.7	71.1			
Varget		64.2	65.8	67.3	68.9	70.4			
Big Game					72.3	73.9	75.7		
Win 760			70.2	72.3	74.4	76.5	78.7		
IMR 4451 End.					76.2	78.3	80.1		
H4350		71.2	72.6	74.0	75.5	77.1	78.6		
RE 16			71.1	72.7	74.3	76.0	77.7	79.5	
RE 17		70.1	71.4	72.8	74.2	75.5	76.9	78.3	
Hybrid 100V			71.6	73.0	74.5	76.1	77.8	79.5	
RE 19			77.0	78.3	79.8	81.4	83.2	85.0	
Hunter							84.0	85.8	
H4831sc			80.5	82.2	83.9	85.6	87.3	89.0	
IMR 4955 End.		73.4	75.1	77.1	79.1	81.4			
RE 22				78.0	79.5	81.1	82.7	84.4	
N560			79.6	81.0	82.5	84.3	86.2	88.2	
Energy Ft. Lbs		3836	3998	4163	4331	4502	4677	4855	
Special Load	Powder	Grains		Velocity fps	Energy Ft. lb				
Accuracy Load	H4831sc	89.0		2700	4855				
Hunting Load	RE 16	79.5		2700	4855				

375 RUGER

Bullet		Caliber	Weight	Type	C.O.A.L.					
		#9350	.375"	350gr.	HPBT Match	3.700"				
*requires 1 x12" twist or faster twist										
Powder	Velocity	2200	2250	2300	2350	2400	2450	2500		
Big Game			64.6	66.5	68.5	70.6				
N540		60.3	61.9	63.6	65.4					
Win 760		64.1	66.0	67.9	69.8	71.6				
IMR 4451 End.				70.2	71.6	73.0	74.4			
H4350		69.7			69.8	71.3	73.6			
RE 16				67.3	68.9	70.6	72.4			
RE 17					69.2	70.8	72.3	73.5		
Hybrid 100V				68.3	69.8	71.2	72.6			
RE 19				72.3	74.1	76.0	77.9	79.9		
Hunter							76.7	79.1		
H4831sc			73.0	74.6	76.3	78.1	80.0			
IMR 4955 End.		68.4	69.9	71.5	73.2	75.0				
RE 22			69.7	71.1	72.5	74.2	75.9	77.8		
N560		70.3	71.7	73.2	74.8	76.5	78.4			
RE 23			70.3	72.1	73.9	75.8	77.7	79.6		
H1000				78.7	80.5	82.3	84.3	86.4		
Energy Ft. Lbs		3761	3934	4110	4291	4476	4664	4856		
Special Load	Powder	Grains	Velocity	fps	Energy	Ft. lb				
Accuracy Load	RE 17	73.5	2500		4856					
<i>Sierra does not recommend MatchKing bullets for hunting applications.</i>										