

9mm MAKAROV

Test Specifications:

Firearm Used: E. German Makarov

Barrel Length: 3.6"

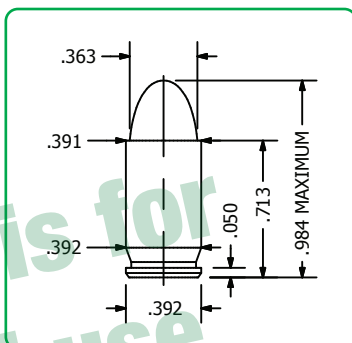
Twist: 1 x 11"

Components:

Case: Starline

Trim-to Length: 0.708"

Primer: Federal 100





Remarks:

Also known as the 9x18mm, the Makarov was introduced by the USSR shortly after the end of the Second World War. Intended for military use, it has been chambered in a variety of handguns, machine pistols, and submachine guns. One handgun chambered for the 9mm Makarov is a small blow back pocket pistol resembling the Walther PP, variously known as the Pistolet Makarova, Pistole M, or Type 59, depending on its point of origin. With the end of the "cold war," many of these handguns have been imported into the U.S.

Unlike most other cartridges in the 9mm family, the Makarov is actually a 9.22mm, using an odd sized .363" diameter bullet. Having been manufactured in a large number of Communist Bloc countries, bore sizes running from .362" to .366" may be encountered. As one might expect, quality of these handguns can vary greatly, depending on its origin. Given this type of variation, the reloader is strongly cautioned to follow prudent reloading practices, and work up loads very carefully. In spite of these comments, most of the German and Russian Makarovs we have examined are of excellent quality, comparing quite favorably with both Mauser and Walther pocket pistols. In fact, several of the Makarovs we have worked with have demonstrated an astonishing level of accuracy. When fed proper loads, the Makarov will give excellent results for small game, plinking, and personal defense use. With the recent availability of U.S. made (Boxer primed) cases, the Makarov can be reloaded with outstanding results. It has been said that the Makarov sits in between the 9mm Luger and 380 ACP in power, but this is misleading. Ballistically, there is very little difference between the 9mm Makarov and the 380 ACP. Naturally, attempting to push performance to anywhere near the performance levels associated with the 9mm Luger is a foolish venture.

9mm MAKAROV

	Bullet	Caliber	Weight	Type	C.O.A.L.		
	#8200	.363"	95gr.	JHP	0.950"		
Powder ▾	Velocity >	750	800	850	900	950	1000
Viht N310		2.2	2.4	2.6	2.8		
Bullseye		2.8	3.0	3.3	3.5	3.8	4.1
231		3.0	3.3	3.6			
WSL		3.3	3.5	3.6	3.7		
Univ. Clays		4.2	4.4	4.5	4.6	4.7	
Unique		3.9	4.1	4.3	4.6	4.8	5.1
A #5		4.8	5.1	5.4	5.6	5.8	6.0
Energy Ft. lbs		119	135	152	171	190	211
Special Load	Powder	Grains		Velocity fps	Energy Ft. lb		
Accuracy Load	Unique	4.6		900	171		
Hunting Load	Unique	4.8		950	190		

	Bullet	Caliber	Weight	Type	C.O.A.L.		
	#8210	.363"	100gr.	FPJ Match	0.950"		
Powder ▾	Velocity >	750	800	850	900	950	1000
Bullseye		3.0	3.2	3.5	3.7	4.0	
231		3.1	3.3	3.6			
A #2		3.2	3.4	3.5	3.7	4.0	
WSL		3.1	3.3	3.4	3.6	3.7	
Univ. Clays		4.0	4.3	4.4	4.5	4.6	4.7
Unique		3.8	4.0	4.2	4.4	4.7	4.9
A #5		5.0	5.4	5.6	5.7	5.8	5.9
Energy Ft. lbs		125	142	160	180	200	222
Special Load	Powder	Grains		Velocity fps	Energy Ft. lb		
Accuracy Load	Unique	4.4		900	180		
Hunting Load	Unique	4.7		950	200		